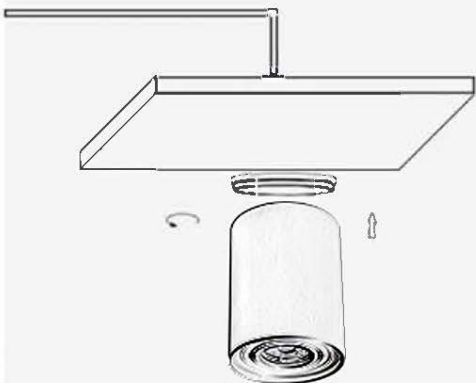
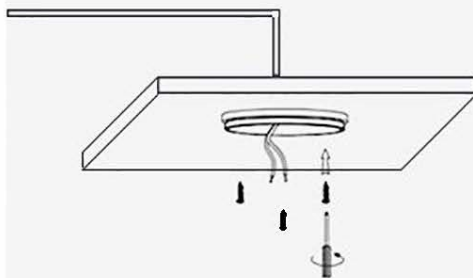


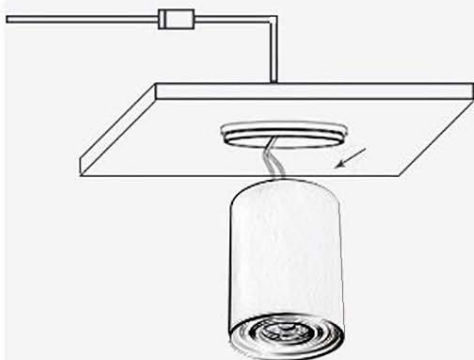
1. Rotate the bottom part and separate from the light body.



2. Secure the bottom part to the ceiling.



3. Connect the cable with connector.



4. The rotating lamp body engages with the bottom part.

