

Characteristics

Rated input voltage: AC200-240V 50/60Hz (power factor measured at AC230V and full load)

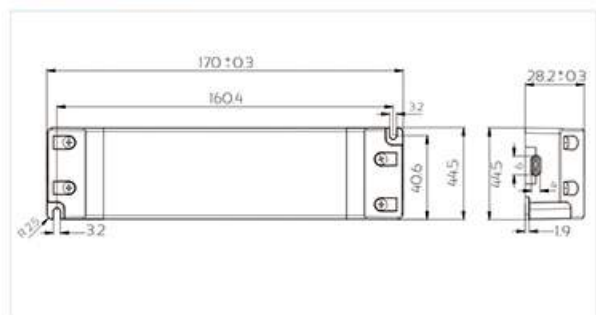
Model No.	Constant output voltage	Load	Max output Current	PF	Ta	Tc	L×W×H	IP
■ SNP75-12VL-E	12V	0-70W	5.83A	>0.9	45 °C	85 °C	170X44.5X28.2	IP20
■ SNP75-24VL-E	24V	0-75W	3.13A	>0.9	45 °C	85 °C	170X44.5X28.2	IP20

Reliable Technical Data

- Rated Input Voltage:200-240VAC
- Input Frequency:50/60Hz
- Output Power: 75W/70W
- Body:PC
- Open Circuit;Short Circuit;Over Load;
- Over Heat Protection

- Safety According to EN61347-1,EN61347-2-13
- EMI According to EN55015
- EMS According to EN61000-3-2;EN61000-3-3;EN61547
- EMF According to EN62493-2010
- ERP According to EN1194-2012

Dimension in mm



SELV

