

SNP50-VF/SNP50-IF



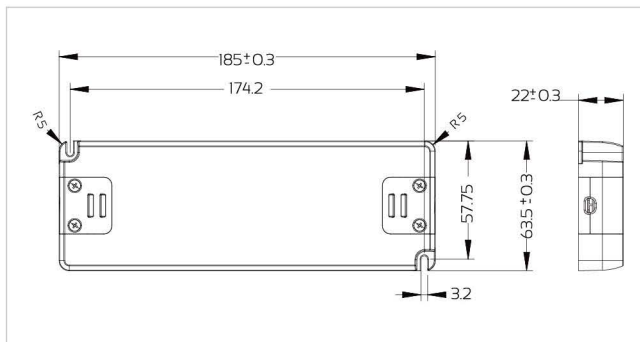
Super thin 18 mm
Thickness only

Reliable Technical Data

- Rated Input Voltage: 200-240VAC
 - Input Frequency: 50/60Hz
 - Output Power: 50W
 - Body: PC
 - Open Circuit; Short Circuit; Over Load;
 - Over Heat Protection
- Safety According to EN61347-1, EN61347-2-13
 - EMI According to EN55015
 - EMS According to EN61000-3-2; EN61000-3-3; EN61547
 - EMF According to EN62493-2010
 - ERP According to EN1194-2012



Dimension in mm



Characteristics

Rated input voltage: AC200-240V 50/60Hz (power factor measured at AC230V and full load)

Model No.	Constant output voltage	Load	Max output current	PF	Ta	Tc	L x W x H
SNP50-12VF	12V	0-50W	4.17A	≥0.9	45°C	80°C	185x63.5x22
SNP50-24VF	24V	0-50W	2.08A	≥0.9	45°C	80°C	185x63.5x22
SNP50-46VF	46V	0-50W	1.05A	≥0.9	45°C	85°C	185x63.5x22

Model No.	Constant output current	Load	Output voltage range	PF	Ta	Tc	L x W x H
SNP50-500IF	500mA	25-50W	50-100VDC	≥0.9	45°C	80°C	185x63.5x22
SNP50-700IF	700mA	25-50W	36-72VDC	≥0.9	45°C	80°C	185x63.5x22
SNP50-950IF	950mA	25-50W	26-53VDC	≥0.9	45°C	80°C	185x63.5x22
SNP50-1050IF	1050mA	25-50W	24-48VDC	≥0.9	45°C	80°C	185x63.5x22
SNP50-1400IF	1400mA	25-50W	18-36VDC	≥0.9	45°C	80°C	185x63.5x22
SNP50-2100IF	2100mA	25-50W	12-23.8VDC	≥0.9	45°C	80°C	185x63.5x22



SNP50-VF-1/SNP50-VF-2



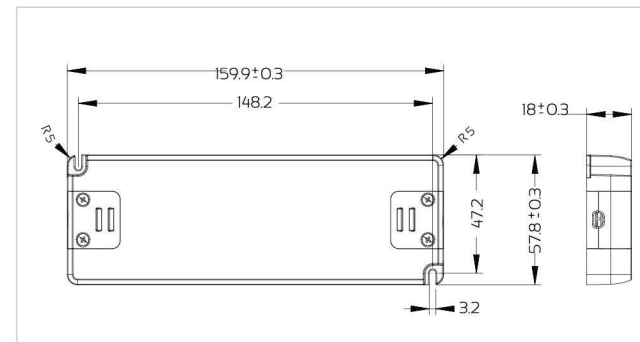
Super thin 18 mm
Thickness only

Reliable Technical Data

- Rated Input Voltage: 200-240VAC
 - Input Frequency: 50/60Hz
 - Output Power: 50W
 - Body: PC
 - Open Circuit; Short Circuit; Over Load;
 - Over Heat Protection
- Safety According to EN61347-1, EN61347-2-13
 - EMI According to EN55015
 - EMS According to EN61000-3-2; EN61000-3-3; EN61547
 - EMF According to EN62493-2010
 - ERP According to EN1194-2012



Dimension in mm



Characteristics

Rated input voltage: AC200-240V 50/60Hz (power factor measured at AC230V and full load)

Model No.	Constant output voltage	Load	Max output current	PF	Ta	Tc	L x W x H
SNP50-12VF-1 (Hiccup)	12V	0-50W	4.2A	≥0.9	45°C	85°C	160x58x18
SNP50-24VF-1 (Hiccup)	24V	0-50W	2.08A	≥0.9	45°C	85°C	160x58x18
SNP50-12VF-1 (Latch off)	12V	0-50W	4.2A	≥0.9	45°C	85°C	160x58x18
SNP50-24VF-1 (Latch off)	24V	0-50W	2.08A	≥0.9	45°C	85°C	160x58x18

