

# AQUA SMART POWER SUN

AQUACULTURE LED COLLECTION • CPH

**Part no.: 26025**  
**AQUA SMART POWER SUN 600W**

*Placed in various depths it ensure even light. Available in 22,000Lm, 44,000Lm, 66,000Lm and 110,000Lm, for salt- and freshwater.*

**FASTER GROWTH**  
**HIGHER HARVEST WEIGHT**  
**REDUCED MATURATION**



Barcode:	5710777 260259
Part no.:	26025
Input Voltage:	200-240VAC
Input Current:	800mA
Power:	600Watt
Power Factor::	$\geq 0.97$ @230VAC
Efficiency (Typ.):	90%
Dimming:	1-10V/PWM/Softstart
Warrenty:	3 years



**SCAN  
ME!**

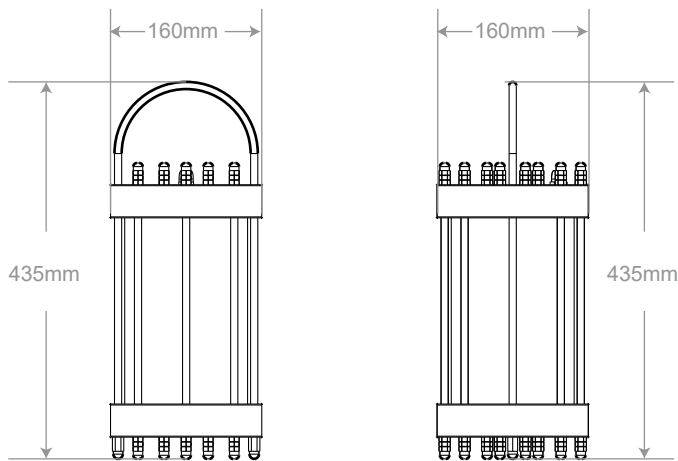


# AQUA SMART POWER SUN

AQUACULTURE LED COLLECTION • CPH

Part no.: 26025

AQUA SMART POWER SUN 600W



Color temp.:	6000-6500K   Green 510-570nm
Lumen:	66,000Lm
CRI   Green:	>80   Grenn
Beam angle:	270°   360°
IP:	68
Lamp working temp.:	-10° to +50°C (Underwater only)
Driver working temp.:	-40° to +90°C
Driver working humidity:	10-90%RH
Lifespan:	35,000hrs
On/Off:	>50,000times
Confirm to:	LM80
Certificate:	CE RoHS SAA
Cooling house:	Alu. 6063 w. electrophoresis coating
Transparent shell:	Thick PMMA
Up/Down black sealed cap:	Nylon corrosion high-molecular polyme
Screws and nuts:	Stainless steel 316
Water-proof connector:	Cooper
Haning rings:	Stainless steel 316
Water-proof rubber gasket::	Silica gel
Cooling house coating:	Dacromet seawater proof coating
MCPCB:	Aluminum 2mm
LED Chip:	CREE XTE
LED Driver:	Meanwell ELG-200
Seawater cable:	TPU Coating   3x2,5