

LED GROW LIGHT

Installation Guide

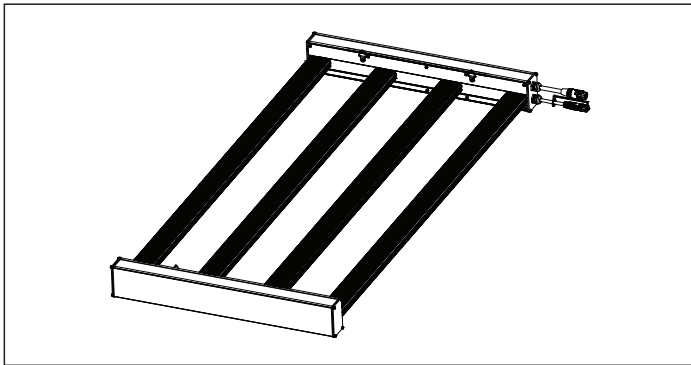


WARNING

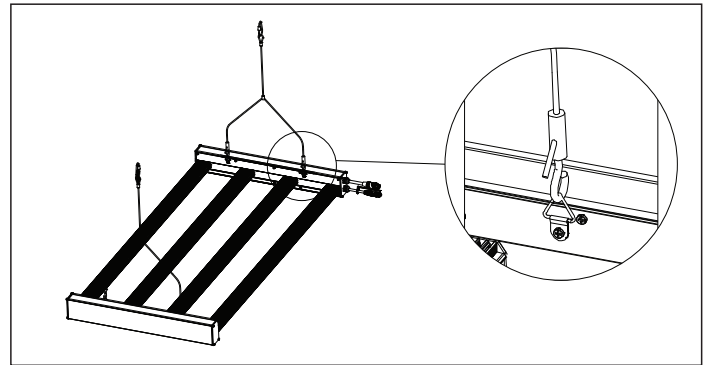
1. Turning off the power before inspection, installation or removal.
2. The installation should be performed by qualified electricians or technicians.
3. Before conducting any installation, maintenance, or removal, the luminaries should be powered off and cooling down.
4. No touching while it is in working.
5. If there is any problems with the fixture, Do turn off the power firstly and DO NOT to attempt to repair it unless you are a qualified technicians or electricians or customer service member.

Installation

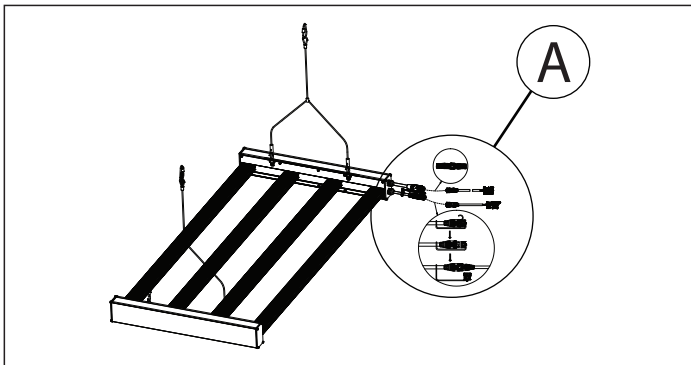
A. KP03, KP04



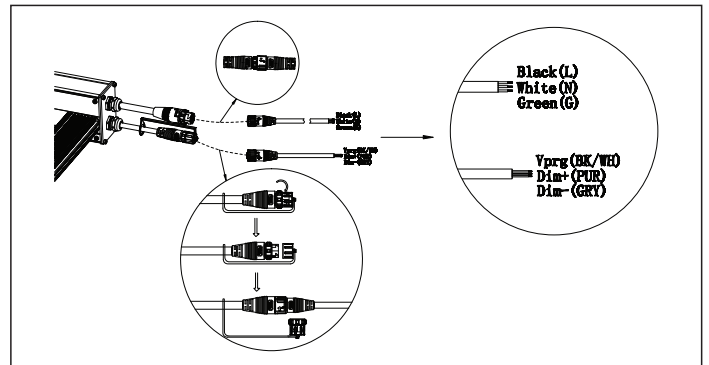
1. Take fixture from packing box



2. Ready Y-fit Gripple Hangers, hooked four positions on the side of fixture

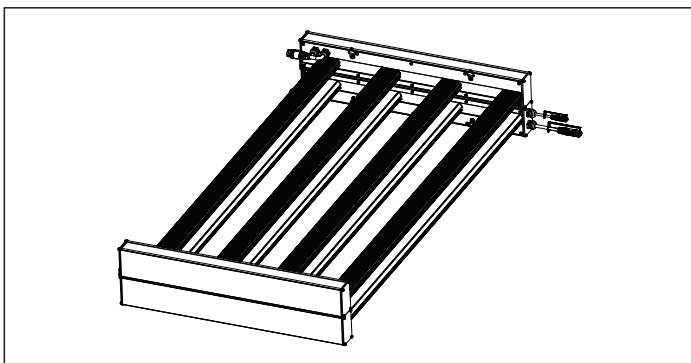


3. AC wire connect, dimmer wire connect pls. refer to picture A for details.

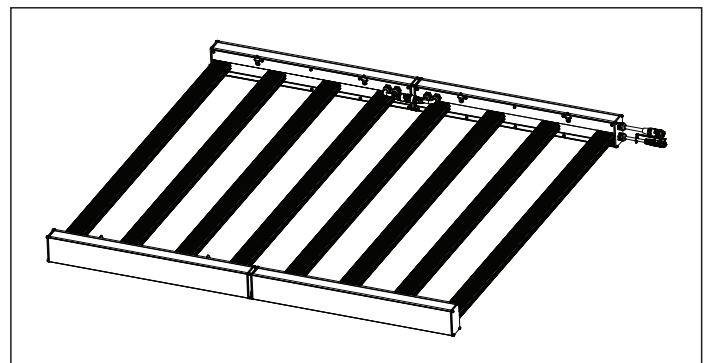


Picture A

B. KP06, KP08



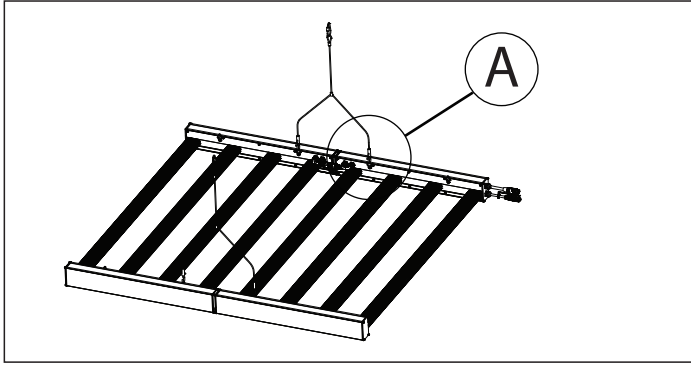
1. Take fixture from packing box.



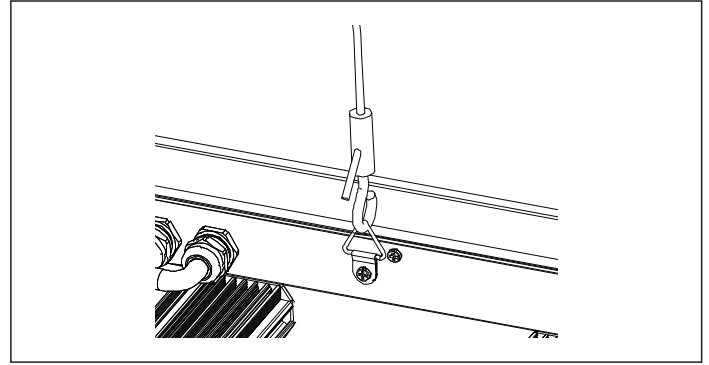
2. Open folded fixture

LED GROW LIGHT

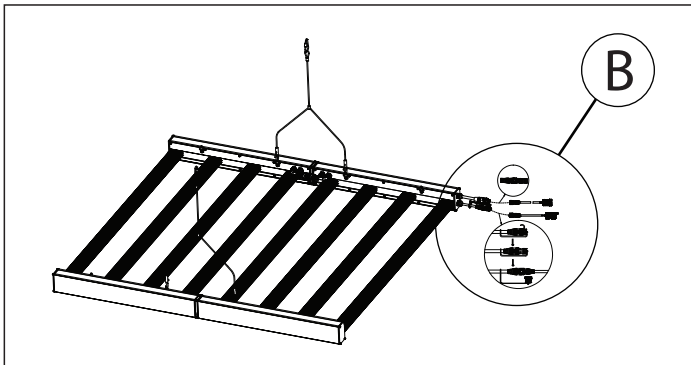
Installation Guide



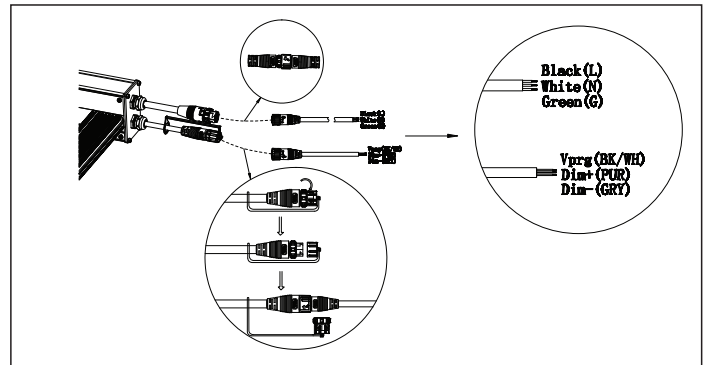
3. Ready Y-fit Gripple Hangers, hooked four positions on the side of fixture. pls. refer to picture A for details.



Picture A



4. AC wire connect, dimmer wire connect. pls. refer to picture B for details.



Picture B

WIRING

Universal voltage driver permits operation at 100V thru 277V, 50-60 Hz.

For 0-10V Dimming, follow the wiring directions as in right picture shown:

1. Connect the black wire of fixture lead to the (L) LINE supply lead.
 2. Connect the white wire of fixture lead to the (N) COMMON supply lead.
 3. Connect the GROUND wire from fixture to supply ground.
- Do NOT connect the GROUND of the dimming fixture to the output.
4. Connect the purple wire lead to the (+) DIM lead.
 5. Connect the gray wire lead to the (-) DIM lead.

