

LED-DOWN-LIGHT-16W

SUNFLUX MASTER COLLECTION · CPH

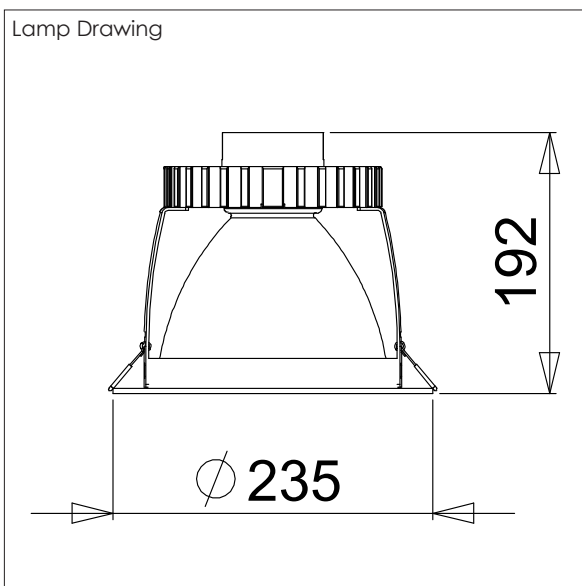
Item No.: 03122

Usage:

For the purpose of household, office and commercial lighting.



Lamp Drawing



Part No.:	03122
Type:	Down Light
Power:	9-16Watt
Input Volt.:	230VAC/50Hz
Input Current	Max. 80mA
PF:	>0.9
Dimming:	Dial Switch
Lumen (Typ.):	1,200Lm
Color Temp.:	3000K
CRI:	>80
Beam Angle:	60°
MacAdam:	SDCM<3
UGR:	<16
Product Size:	Dia.235 x 192 mm
Cut-hole Size:	Min. 190mm
Driver:	Osram OT FIT 15
Lifespan (L70):	35.000 hrs
On/Off:	>50.000 times
Confirm to:	LM80